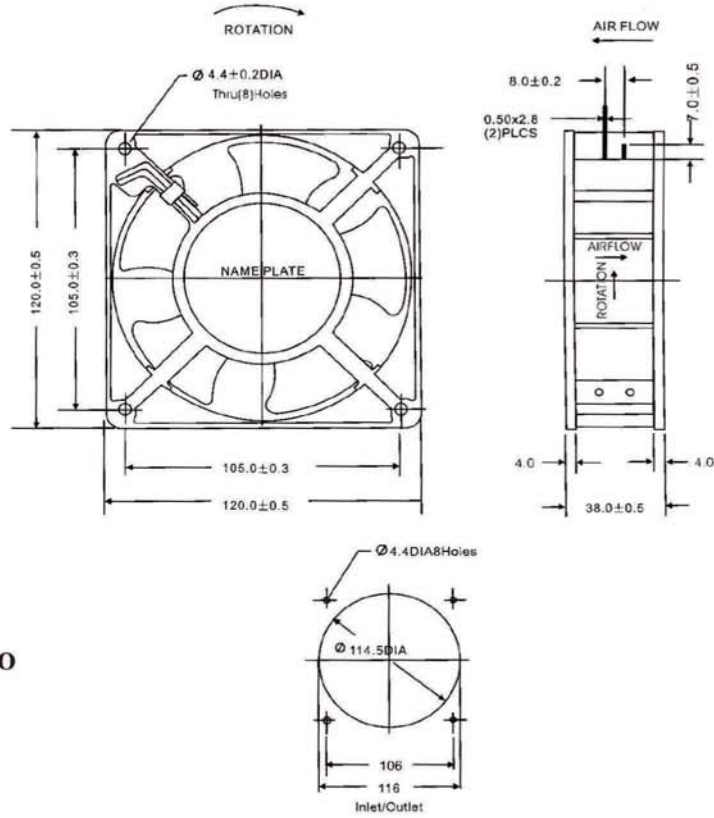


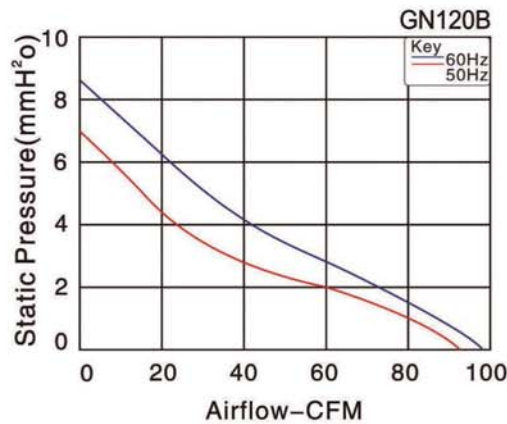


GIRAELICA



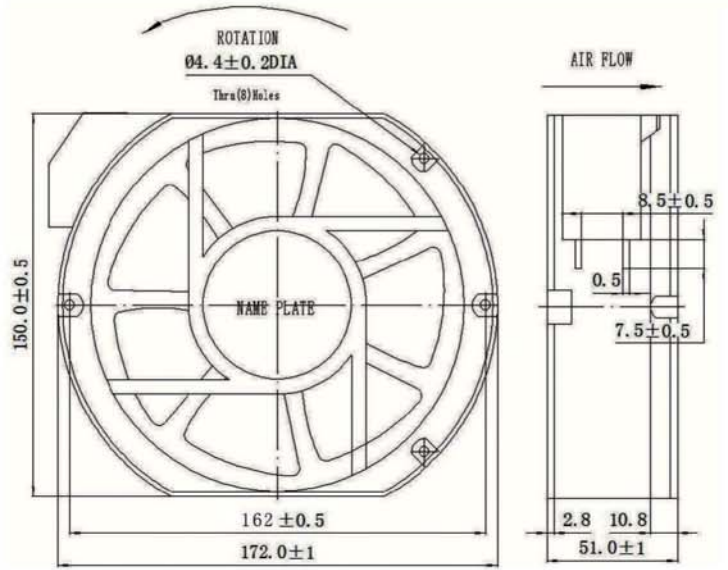
Size: 120mmx120mmx38mm
Airflow: 130–166m³/hr
76–98CFM
Weight: 480g
Noise: 39–48dBA
Impeller Material: PBT Thermoplastic Black,UL94–VO
Frame: Aluminum Alloy
Terminals: 0.5mm
Lead Wire: AWG#22 UL 1569(Optional)
Motor: Shaded Pole Induction Motor
Operating Temperature: –10°C~+65°C
Service life:30000H– 50000H

Model	Bearing System	Voltage VAC	Freq. Hz	Current A	Power W	Speed RPM	Noise dBA	Air Flow		Phase	Capacitor
								M3/hr	CFM		
GN120B1-E01	Ball Lead wire	100/125	50/60	0.28	21	2600/3000	43/48	160/166	93/98	1	/
GN120B2-E01		200/240	50/60	0.14	21	2600/3000	43/48	160/166	93/98	1	/
GN120B3-E01		380/420	50/60	0.08	21	2600/3000	43/48	160/166	93/98	1	/
GN120B1-E02	Ball Pin	100/125	50/60	0.28	21	2600/3000	43/48	160/166	93/98	1	/
GN120B2-E02		200/240	50/60	0.14	21	2600/3000	43/48	160/166	93/98	1	/



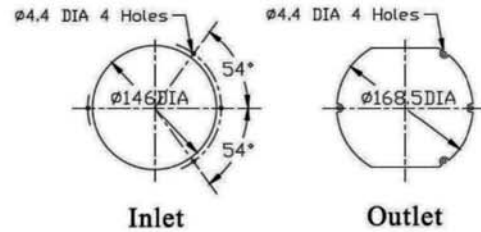
- AC AXIAL FAN
- AC CENTRIFUGAL FAN SINGLE INLET
- AC CENTRIFUGAL FAN BACKWARD CURVED
- AC CENTRIFUGAL BLOWER DUAL INLET
- FAN FILTER
- THREE-IN-ONE LUXURIOUS DUST-PROOF
- SINGLE PROTECTIVE PLASTICS GRID
- METAL SCREEN
- METAL PROTECTION MESH COVER

- AC AXIAL FAN
- AC CENTRIFUGAL FAN SINGLE INLET
- AC CENTRIFUGAL FAN BACKWARD CURVED
- AC CENTRIFUGAL BLOWER DUAL INLET
- FAN FILTER
- THREE-IN-ONE LUXURIOUS DUST-PROOF
- SINGLE PROTECTIVE PLASTICS GRID
- METAL SCREEN
- METAL PROTECTION MESH COVER

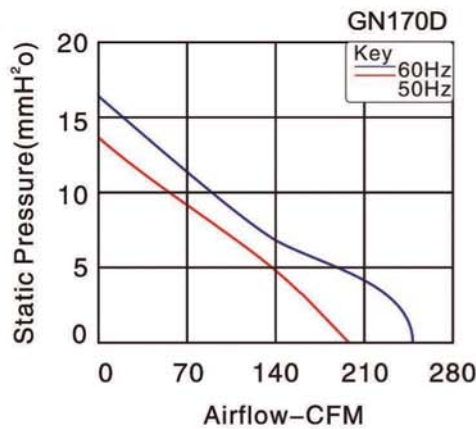


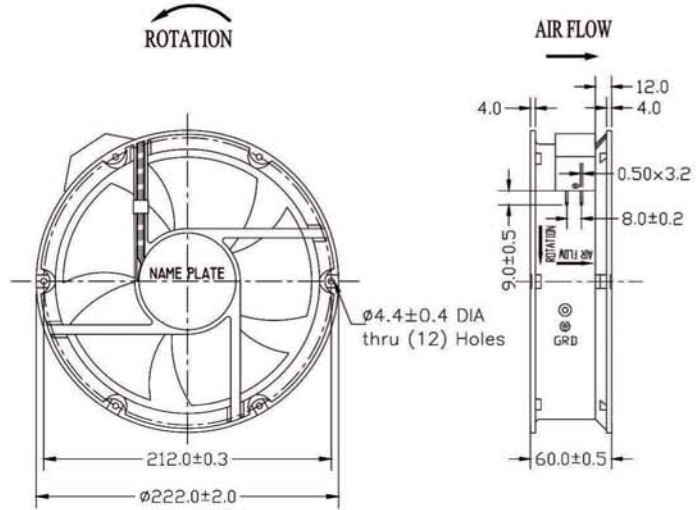
Size: 172mmx150mmx51mm
Airflow: 195–416m³/hr
 115–245CFM

Weight: 850g
Noise: 49–56dBA
Impeller Material: PBT Thermoplastic Black,UL94–VO
Frame: Aluminum Alloy
Terminals: 0.5mm
Lead Wire: AWG#22 UL 1569(Optional)
Motor: Shaded Pole Induction Motor
Operating Temperature: –10°C~+65°C
Service life:30000H – 50000H

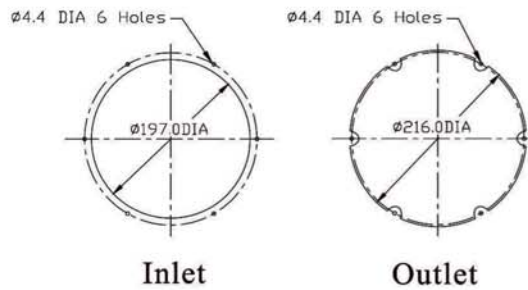


Model	Bearing System	Voltage VAC	Freq. Hz	Current A	Power W	Speed RPM	Noise dBA	Air Flow		Phase	Capacitor
								M3/hr	CFM		
GN170D1-E01	Ball Lead wire	100/125	50/60	0.50/0.45	37/36	2600/3000	46/52	340/416	200/245	1	/
GN170D2-E01		200/240	50/60	0.22/0.21	34/33	2600/3000	46/52	340/416	200/245	1	/
GN170D3-E01		380/420	50	0.11	34	2600	46	340	200	1	/
GN170D1-E02	Ball Pin	100/125	50/60	0.50/0.45	37/36	2600/3000	46/52	340/416	200/245	1	/
GN170D2-E02		200/240	50/60	0.22/0.21	34/33	2600/3000	46/52	340/416	200/245	1	/
GN170D3-E02		380/420	50	0.11	34	2600	46	340	200	1	/

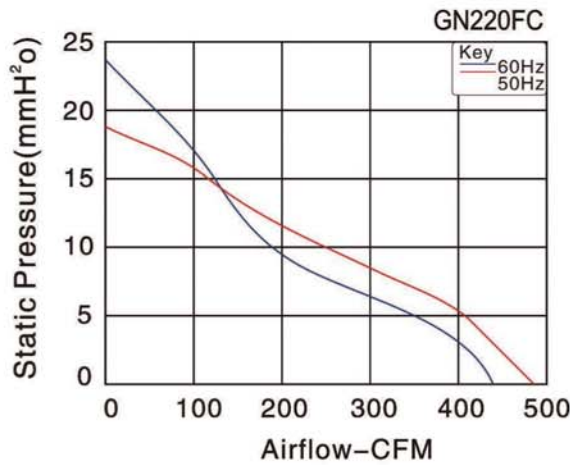




Size: $\phi 200\text{mm} \times 60\text{mm}$
Airflow: 730–824m³/hr
 430–485CFM
Weight: 1250g
Noise: 55–67dBA
Impeller Material: PBT Thermoplastic Black, UL94–VO
Frame: Aluminum Alloy
Terminals: 0.5mm
Lead Wire: AWG#22 UL 1015(Optional)
Motor: Capacitor–Run Induction Motor
Operating Temperature: –10°C~+65°C
Service Life: 30000H – 50000H



Model	Bearing System	Voltage VAC	Freq. Hz	Current A	Power W	Speed RPM	Noise dBA	Air Flow		Phase	Capacitor
								M3/hr	CFM		
GN220F1-E01	Ball Lead wire	100/125	50/60	0.42/0.46	50/60	2800/3100	55/67	730/824	430/485	1	3.3uf/630v
GN220F2-E01		200/240	50/60	0.25/0.26	50/60	2800/3100	55/67	730/824	430/485	1	1.8uf/630v
GN220F1-E02	Ball Pin	100/125	50/60	0.42/0.46	50/60	2800/3100	55/67	730/824	430/485	1	3.3uf/630v
GN220F2-E02		200/240	50/60	0.25/0.26	50/60	2800/3100	55/67	730/824	430/485	1	1.8uf/630v



- AC AXIAL FAN
- AC CENTRIFUGAL FAN SINGLE INLET
- AC CENTRIFUGAL FAN BACKWARD CURVED
- AC CENTRIFUGAL BLOWER DUAL INLET
- FAN FILTER
- THREE-IN-ONE LUXURIOUS DUST-PROOF
- SINGLE PROTECTIVE PLASTICS GRID
- METAL SCREEN
- METAL PROTECTION MESH COVER

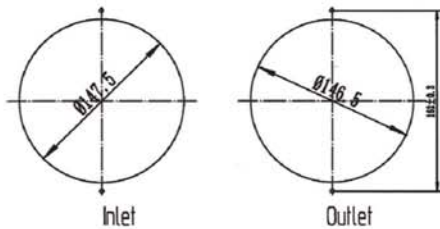
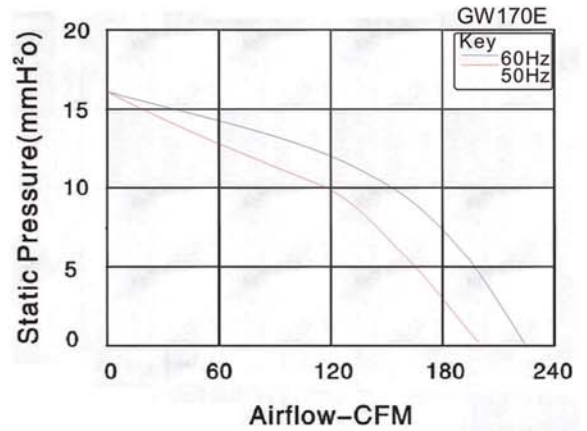
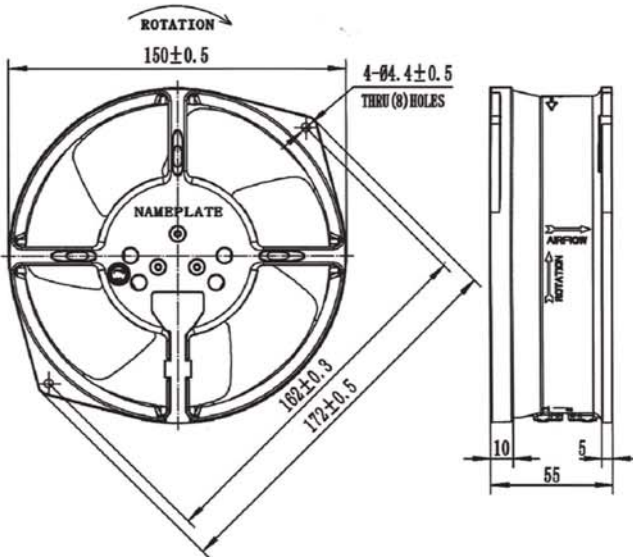
- AC AXIAL FAN
- AC CENTRIFUGAL FAN SINGLE INLET
- AC CENTRIFUGAL FAN BACKWARD CURVED
- AC CENTRIFUGAL BLOWER DUAL INLET
- FAN FILTER
- THREE-IN-ONE LUXURIOUS DUST-PROOF
- SINGLE PROTECTIVE PLASTICS GRID
- METAL SCREEN
- METAL PROTECTION MESH COVER



Size: 170mmx150mmx55mm
Airflow: 289–380m³/hr
170–224CFM

Weight: 1200g
Noise: 45–52dBA
ImpellerMaterial: Metal
Frame: Aluminum Alloy
Terminals: 0.5mm
Lead Wire: Teflon 22#UL 1332(Optional)
Motor: Shaded Pole And External Rotor Induction Motor
Operating Temperature: -10°C~+105°C

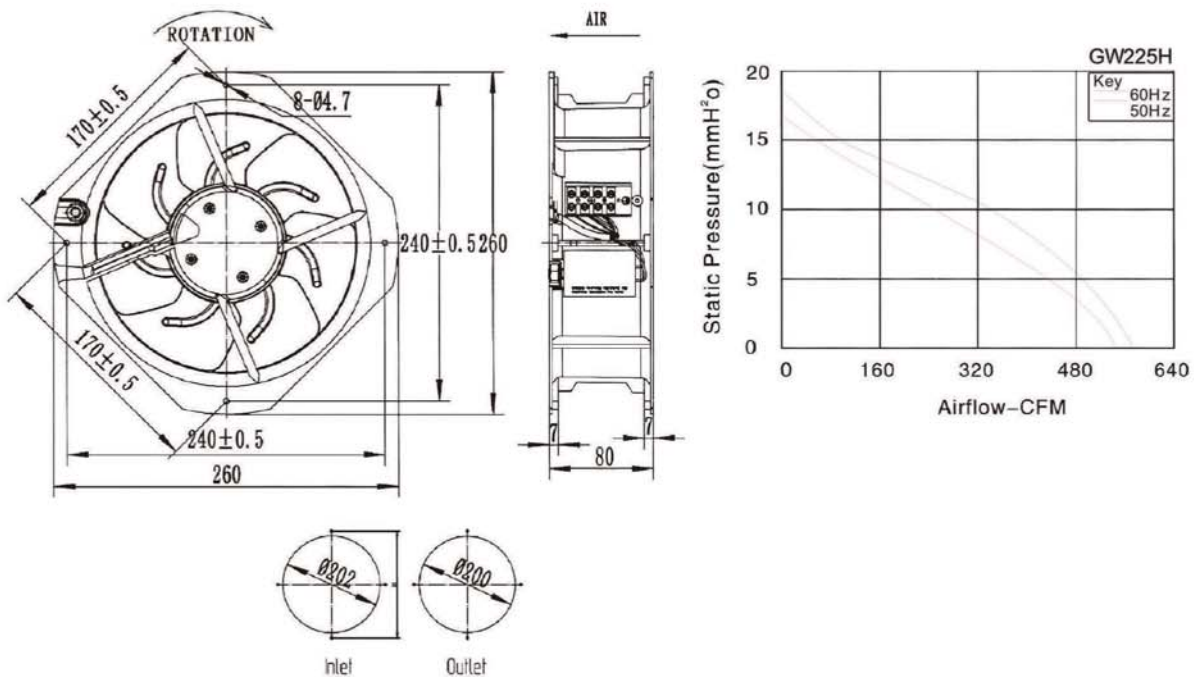
Model	Bearing System	Voltage VAC	Freq. Hz	Current A	Power W	Speed RPM	Noise dBA	Air Flow		Phase	Capacitor
								M3/hr	CFM		
GW170E1	Ball	100/125	50/60	0.58/0.5	42/39	2800/3100	48/52	325/380	191/224	1	/
GW170E2		200/240	50/60	0.25/0.2	35/31	2800/3100	48/52	325/380	191/224	1	/





Size: 225x225x80mm
Airflow: 925–1030m³/hr
545–607CFM
Weight: 2112g
Noise: 56–61dBA
ImpellerMaterial: Metal
Frame: Aluminum Alloy
Terminals: 0.5mm
Lead Wire: Teflon 22#UL 1332(Optional)
Motor: Capacitor–Run And External Rotor
Induction Motor
Operating Temperature: –10°C~+105°C
Service life:30000H– 50000H

Model	Bearing System	Voltage VAC	Freq. Hz	Current A	Power W	Speed RPM	Noise dBA	Air Flow		Phase	Capacitor
								M3/hr	CFM		
GW225H1C–A01	Ball	100/125	50/60	0.68/0.65	67/77	2700/3100	59/61	925/1030	545/607	1	4.0uf/250v
GW225H2C–A01		200/240	50/60	0.35/0.28	62/80	2700/3100	59/61	925/1030	545/607	1	2.2uf/400v
GW225H3–A01		380/420	50/60	0.25	65	2700/3100	59/61	925/1030	545/607	3	—
GW225H4C–A01		380/420	50/60	0.25	65	2700/3100	59/61	925/1030	545/607	1	1uf/630v



AC AXIAL FAN

AC CENTRIFUGAL FAN SINGLE INLET

AC CENTRIFUGAL FAN BACKWARD CURVED

AC CENTRIFUGAL BLOWER DUAL INLET

FAN FILTER

THREE-IN-ONE LUXURIOUS DUST-PROOF

SINGLE PROTECTIVE PLASTICS GRID

METAL SCREEN

METAL PROTECTION MESH COVER

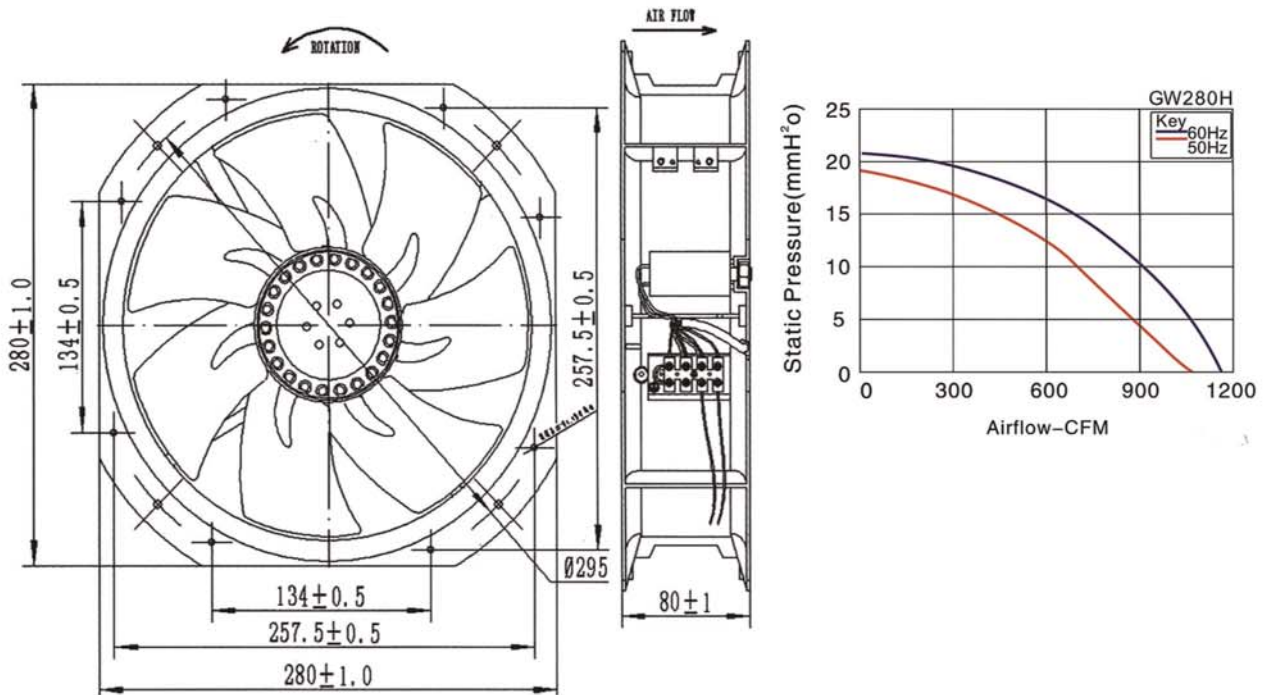
- AC AXIAL FAN
- AC CENTRIFUGAL FAN SINGLE INLET
- AC CENTRIFUGAL FAN BACKWARD CURVED
- AC CENTRIFUGAL BLOWER DUAL INLET
- FAN FILTER
- THREE-IN-ONE LUXURIOUS DUST-PROOF
- SINGLE PROTECTIVE PLASTICS GRID
- METAL SCREEN
- METAL PROTECTION MESH COVER



Size: 280mmx280mmx80mm
Airflow: 1865–1970m³/hr
1098–1160CFM

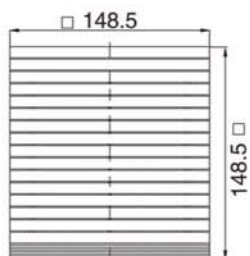
Weight: 2803g
Noise: 60–70dBA
ImpellerMaterial: Metal
Frame: Aluminum Alloy
Terminals: 0.5mm
Lead Wire: Teflon 22#UL 1332(Optional)
Motor: Capacitor–Run And External Rotor Induction Motor
Operating Temperature: –10°C~+105°C

Model	Bearing System	Voltage VAC	Freq. Hz	Current A	Power W	Speed RPM	Noise dBA	Air Flow		Phase	Capacitor
								M3/hr	CFM		
GW280H1C	Ball	100/125	50/60	1.2/1.3	126/148	2500/2700	69/70	1865/1970	1098/1160	1	2.8uf/250v
GW280H2C		200/240	50/60	0.58/0.63	126/148	2500/2700	69/70	1865/1970	1098/1160	1	4uf/630v
GW280H3		380/420	50/60	0.32	120	2500/2700	69/70	1865/1970	1098/1160	3	—
GW280H4C		380/420	50/60	0.36	120	2500/2700	69/70	1865/1970	1098/1160	1	2.0uf/500v

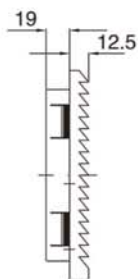




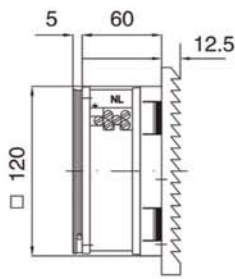
Fan and filter
GX9803



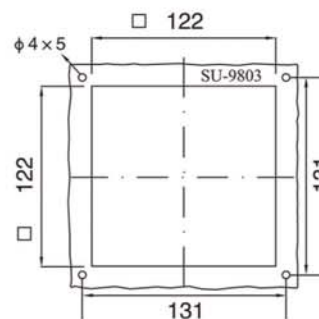
Outlet filter
GX9803.200



Fan and filter
GX9803.230



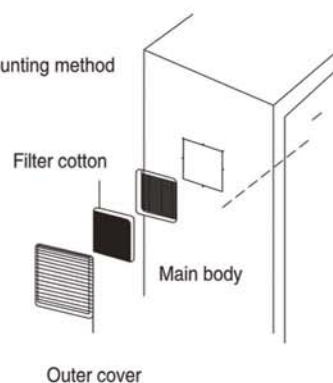
Mounting profile
GX9803



Fan and filter Model GX	9803.230	9803.115	9803.024
Designed operating voltage	230,50/60	115,50/60	24
Airflow, free wind	2.3/2.7 m ³ /h		
Dust removal rate	86%		
Axial fan	Automatically started shaded pole motor		motor
Electric current designed (A)	0.14/0.13	0.28/0.26	0.22
Power (W)	21/25		5.3
Noise level dB (A)	47/49		
Operating ambient temperature	-10° C + 55° C		
Colour	RAL7035		
IP code	IP 44 while using standard filter mat		
Outlet filter Model GX	9803.200		
Supporting fan	Applicable to GX12038HA2		

Please consult with us when the colour ordered is RAL 7032 or others. Special voltage may be provided if necessary according to the inquiry. Jiulong all technical modification rights reserved.

Mounting method



AC AXIAL FAN

AC CENTRIFUGAL
FAN SINGLE
INLET

AC CENTRIFUGAL
FAN BACKWARD
CURVED

AC CENTRIFUGAL
BLOWER DUAL
INLET

FAN FILTER

THREE-IN-ONE
LUXURIOUS
DUST-PROOF

SINGLE
PROTECTIVE
PLASTICS GRID

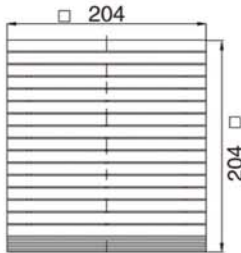
METAL SCREEN

METAL
PROTECTION
MESH COVER

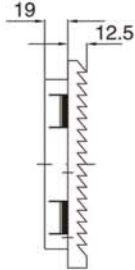
- AC AXIAL FAN
- AC CENTRIFUGAL FAN SINGLE INLET
- AC CENTRIFUGAL FAN BACKWARD CURVED
- AC CENTRIFUGAL BLOWER DUAL INLET
- FAN FILTER
- THREE-IN-ONE LUXURIOUS DUST-PROOF
- SINGLE PROTECTIVE PLASTICS GRID
- METAL SCREEN
- METAL PROTECTION MESH COVER



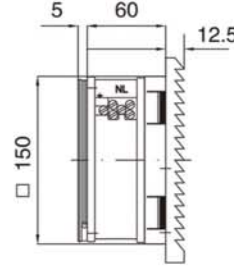
Fan and filter
GX9804



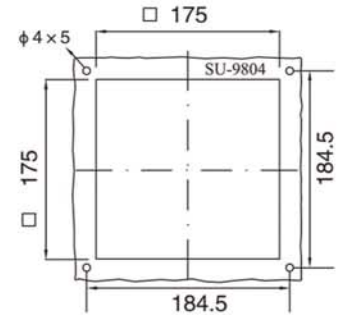
Outlet filter
GX9804.200



Fan and filter
GX9804.230



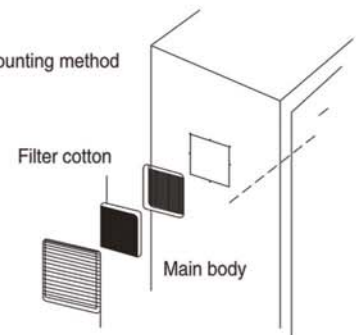
Mounting profile
GX9804



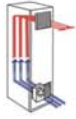
Fan and filter Model GX	9804.230	9804.115	9804.024
Designed operating voltage	230,50/60	115,50/60	24
Airflow, free wind	5 m ³ /h		

Dust removal rate	86%		
Axial fan	Automatically started shaded pole motor		motor
Electric current designed (A)	0.25	0.5	0.5
Power (W)	38		12
Noise level dB (A)	55		
Operating ambient temperature	-10° C +55° C		
Colour	RAL7035		
IP code	IP 44 while using standard filter mat		
Outlet filter Model GX	9804.200		
Supporting fan	Applicable to GX12038HA2 GX17250HA2 GX15050HA2		

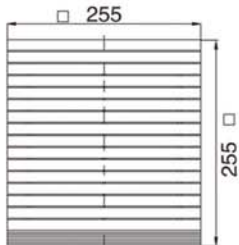
Mounting method



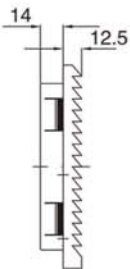
Please consult with us when the colour ordered is RAL 7032 or others. Special voltage may be provided if necessary according to the inquiry. Jiulong all technical modification rights reserved.



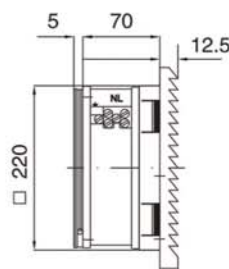
Fan and filter
GX9805



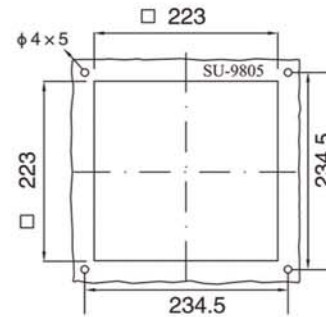
Outlet filter
GX9805.200



Fan and filter
GX9805.230

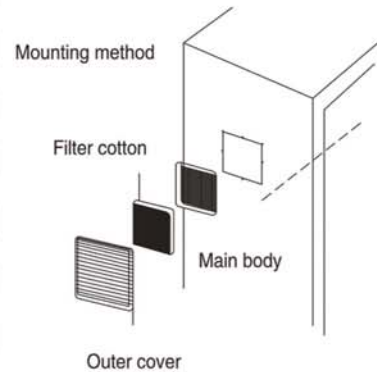


Mounting profile
GX9805



Fan and filter Model GX	9805.230	9805.115	9805.024
Designed operating voltage	230,50/60	115,50/60	24
Airflow, free wind	11 m ³ /h		
Dust removal rate	86%		
Axial fan	Automatically started shaded pole motor		
Electric current designed (A)	0.35	0.70	1.50
Power (W)	65		36
Noise level dB (A)	60		
Operating ambient temperature	-10° C + 55° C		
Colour	RAL7035		
IP code	IP 44 while using standard filter mat		
Outlet filter Model GX	9805.200		
Supporting fan	Applicable to GX17250HA2 GX18060HA2 GX22060A2 GX20060HA2		

Please consult with us when the colour ordered is RAL 7032 or others. Special voltage may be provided if necessary according to the inquiry. Jiulong all technical modification rights reserved.



AC AXIAL FAN

AC CENTRIFUGAL
FAN SINGLE
INLET

AC CENTRIFUGAL
FAN BACKWARD
CURVED

AC CENTRIFUGAL
BLOWER DUAL
INLET

FAN FILTER

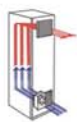
THREE-IN-ONE
LUXURIOUS
DUST-PROOF

SINGLE
PROTECTIVE
PLASTICS GRID

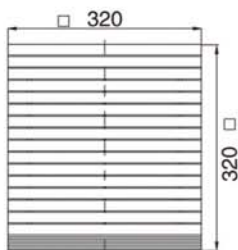
METAL SCREEN

METAL
PROTECTION
MESH COVER

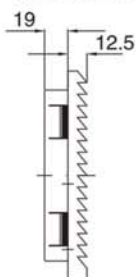
- AC AXIAL FAN
- AC CENTRIFUGAL FAN SINGLE INLET
- AC CENTRIFUGAL FAN BACKWARD CURVED
- AC CENTRIFUGAL BLOWER DUAL INLET
- FAN FILTER
- THREE-IN-ONE LUXURIOUS DUST-PROOF
- SINGLE PROTECTIVE PLASTICS GRID
- METAL SCREEN
- METAL PROTECTION MESH COVER



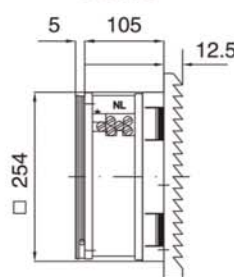
Fan and filter
GX9806



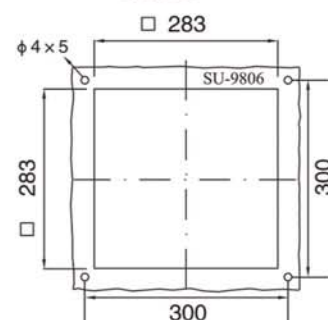
Outlet filter
GX9806.200



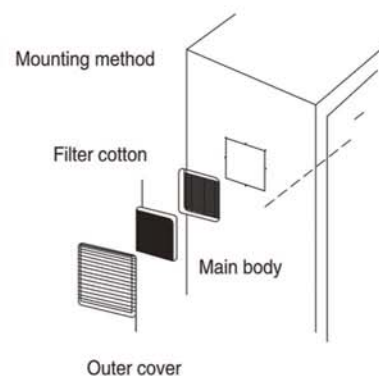
Fan and filter
GX9806



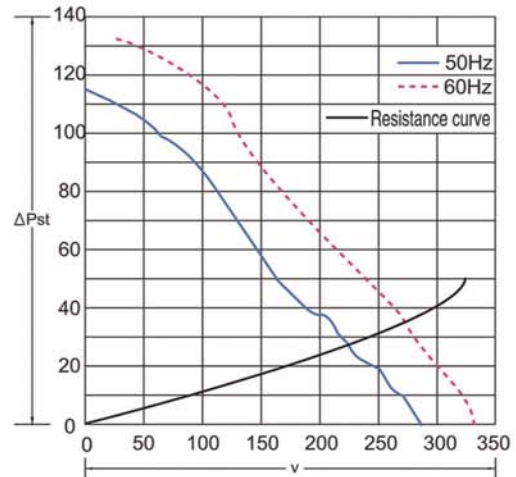
Mounting profile
GX9806



Fan and filter Model GX	9806.230	9806.115	9806.024
Designed operating voltage	230,50/60	115,50/60	24
Airflow, free wind	25	m ³ /h	
Dust removal rate	86%		
Axial fan	Automatically started shaded pole motor		
Electric current designed (A)	0.45/0.60	1.0/1.1	2.40
Power (W)	70	57.6	
Noise level dB (A)	68		
Operating ambient temperature	-10° C 至 +55° C		
Colour	RAL7035		
IP code	IP 44 while using standard filter mat		
Outlet filter Model GX	9806.200		
Supporting fan	Applicable to GX25489HA2	GX22060HA2	GX2207HB

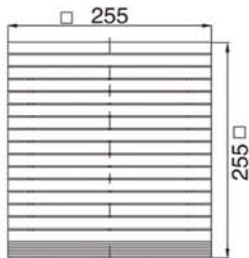


Please consult with us when the colour ordered is RAL 7032 or others. Special voltage may be provided if necessary according to the inquiry. Jiulong all technical modification rights reserved.

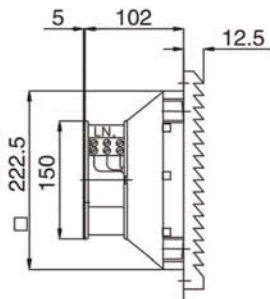


V = Volume of current (m³/h)
 Δpst = Static pressure difference (Pa)

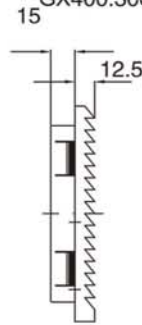
Fan and filter
GX400



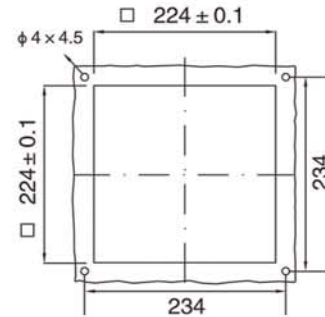
Fan and filter
GX400.230



Outlet filter
GX400.300



Mounting profile
GX400



Airflow parameter	GX400.230	GX400.115	GX400.024	GX200.048
Voltage/frequency	230V/50/60Hz(AC)	115V/50/60Hz(AC)	24V(DC)	48V(DC)
Filter mat	150 g/m ²	150 g/m ²	150 g/m ²	150 g/m ²
Airflow/blast volume	230/265m ³ /h			
Max. static pressure (blast volume=0m ³ /h)	115 Pa			
Filtration efficiency	73%			
Filter mat grade(DIN EN 779)	G 2			
Noise (DIN 45 635)	54/56 dB (A)			
Loat rate	100%			

Mechanic parameter	GX400.230	GX400.115	GX400.024	GX400.048
Dimensions (height * width * mounting depth)	255x255x107	255x255x107	255x255x107	
Type of bearing	Ball bearing			
Mounting direction	Any direction (horizontal mounting is recommended)			
Structure material	Inflaming retarding ABS-FR conforming to the UL 94 VO			
Weight	1.5kg	1.5 kg	1.2kg	
Security grade	According to the EN 60529			
Colour	RAL 7035, RAL 7032, and other colours optional			
Connection	Terminal board			
Certificate	RoHS, UL, EMC, CE,			
IP code	IP54			

AC AXIAL FAN

AC CENTRIFUGAL FAN SINGLE INLET

AC CENTRIFUGAL FAN BACKWARD CURVED

AC CENTRIFUGAL BLOWER DUAL INLET

FAN FILTER

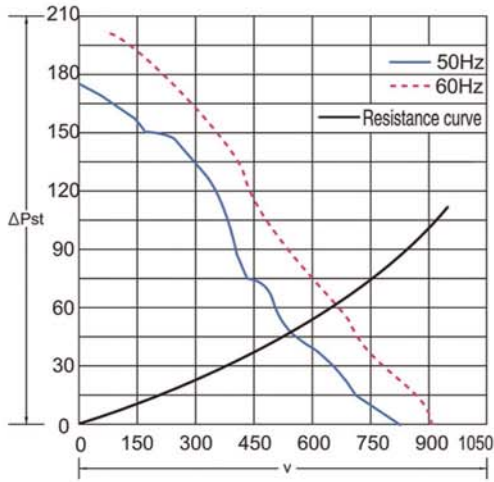
THREE-IN-ONE LUXURIOUS DUST-PROOF

SINGLE PROTECTIVE PLASTICS GRID

METAL SCREEN

METAL PROTECTION MESH COVER

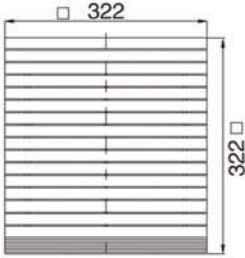
- AC AXIAL FAN
- AC CENTRIFUGAL FAN SINGLE INLET
- AC CENTRIFUGAL FAN BACKWARD CURVED
- AC CENTRIFUGAL BLOWER DUAL INLET
- FAN FILTER
- THREE-IN-ONE LUXURIOUS DUST-PROOF
- SINGLE PROTECTIVE PLASTICS GRID
- METAL SCREEN
- METAL PROTECTION MESH COVER



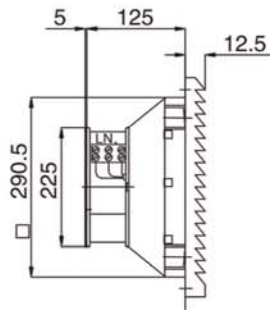
V= Volume of current (m³/h)
 Δpst= Static pressure difference (Pa)



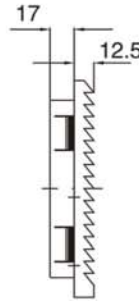
Fan and filter
GX500



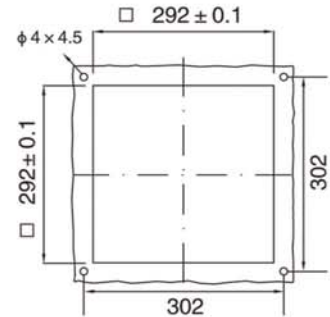
Fan and filter
GX500.230



Outlet filter
GX500.200



Mounting profile
GX500



Airflow parameter	GX500.230	GX500.115	GX500.024	GX500.048
Voltage/frequency	230V/50/60Hz(AC)	115V/50/60Hz(AC)	24V(DC)	48V(DC)
Filter mat	150 g/m ²	150 g/m ²	150 g/m ²	150 g/m ²
Airflow/blast volume	550/600m ³ /h			
Max. static pressure (blast volume=0m ³ /h)	176 Pa			
Filtration efficiency	73%			
Filter mat grade(DIN EN 779)	G 2			
Noise (DIN 45 635)	59/61 dB (A)			
Loat rate	100%			

Mechanic parameter	GX500.230	GX500.115	GX500.024	GX500.048
Dimensions (height * width * mounting depth)	322x322x130	322x322x130	322x322x130	
Type of bearing	Ball bearing			
Mounting direction	Any direction (horizontal mounting is recommended)			
Structure material	Inflaming retarding ABS-FR conforming to the UL 94 VO			
Weight	2.8kg	2.8 kg	2.3kg	
Security grade	According to the EN 60529			
Colour	RAL 7035, RAL 7032, and other colours optional			
Connection	Terminal board			
Certificate	RoHS、UL、EMC、CE、			
IP code	IP54			