

# 户外系列

# Outdoor series

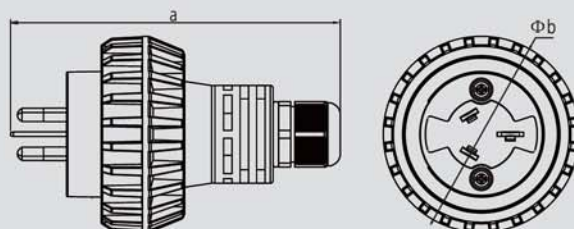


## 插头 Plug

产品外观  
Photo



外形尺寸  
Dimension



E56P310



3P 10A 250V

E56P315



3P 15A 250V

E56P313\*



3P 13A 250V

参数

Parameter

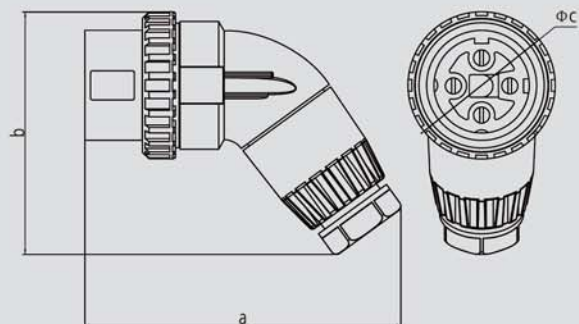
电流(A) Current (A)	10	15	13
极数(P) Pole(P)	3	3	3
尺寸 Dimension(mm)			
a	118	118	95
b	71	71	79

## 插头 Plug

产品外观  
Photo



外形尺寸  
Dimension



E56PA320



3P 20A 250V

E56PA332



3P 32A 250V

E56PA410



4P 10A 500V

E56PA420



4P 20A 500V

E56PA432



4P 32A 500V

E56PA440



4P 40A 500V

E56PA450



4P 50A 500V

E56PA510



5P 10A 500V

E56PA520



5P 20A 500V

E56PA532



5P 32A 500V

E56PA540



5P 40A 500V

E56PA550



5P 50A 500V

参数

Parameter

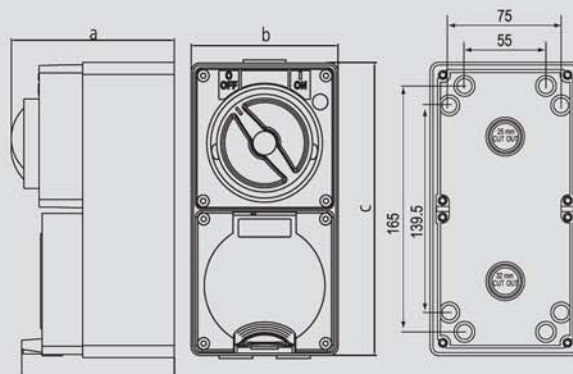
电流(A) Current (A)	10		20			32			40		50	
	极数(P) Pole(P)		3	4	5	3	4	5	4	5	4	5
尺寸	a	168	168	168	168	168	168	168	168	168	168	168
Dimension(mm)	b	130	130	130	130	130	130	130	130	130	130	130
	c	78	78	78	78	78	78	78	78	78	78	78

## 组合开关插座 Combination Switch Socket

产品外观  
Photo



外形尺寸  
Dimension



E56CV310	E56CV315	E56CV313*	E56CV316**	E56CV320	E56CV332
3P 10A 250V	3P 15A 250V	3P 13A 250V	3P 16A 250V	3P 20A 250V	3P 32A 250V
E56CV410	E56CV420	E56CV432	E56CV440	E56CV450	
4P 10A 500V	4P 20A 500V	4P 32A 500V	4P 40A 500V	4P 50A 500V	
E56CV510	E56CV520	E56CV532	E56CV540	E56CV550	
5P 10A 500V	5P 20A 500V	5P 32A 500V	5P 40A 500V	5P 50A 500V	

参数

Parameter

电流(A) Current (A)	10			13	15	20			32			40		50	
极数(P) Pole(P)	3	4	5	3	3	3	4	5	3	4	5	4	5	4	5
尺寸 Dimension(mm)	a	76	76	76	76	76	76	76	76	76	76	76	76	76	76
	b	101	101	101	101	101	101	101	101	101	101	101	101	101	101
	c	197	197	197	197	197	197	197	197	197	197	197	197	197	197

EWSC226



16A 250V IP56

EWSC226/2



16A 250V IP56

# ELICA

电线电缆连接器专业制造商

**Always Pursue**  
Fine Quality



# Perfect Every

Cable Gland With Innovation

将电缆接头做到创新 / 精进



CE



ROHS

SGS



IP68

IATF16949

# ELICA

# 15 YEARS

企业使命 将防水行业做到精进创新!

● 2006

乐清市鸿祥连接器制造有限公司成立，主要生产防水黄铜电缆密封套

Yueqing Hongxiang Connector Manufacturing Co.,Ltd. mainly produces waterproof brass cable gland

● 2008

工厂搬迁新厂，车间面积达到 2000 平方

Factory relocated, new workshop area reached 2000m<sup>2</sup>

● 2009

公司引进数控设备和自动计量机，它正在引导公司进行自动化生产技术

Company introduced numerical control equipment and automatic counting machine, which are guiding the company to automated production technology

● 2010

公司开发了电缆封套新设计，并申请专利，专利号 z1201020530888.7

The company has developed a new design of cable seal, and applied for patent, patent number z1201020530888.7.



## 2011

本公司荣幸成为辽宁省“航空母舰”专用防水接头供应商，产品高质量被认可走向世界

Our company was honored to be the supplier of special waterproof cable gland for the Aircraft Carrier "Liaoning", and our high quality of products have been recognized and export to the global

## 2013

公司专注与研发并推出多种新产品，从事不锈钢 尼龙 黄铜等各种材料。生产转换更多元化解决不同的供应需求

Company focused on research and develop various of new products, stainless steel, nylon, brass and other materials. Diversified production meet different requirements

## 2016

公司员工扩至 80 人，业务核心走向国际

The staff of company expanded to 50-100, and core business focus turned to foreign trade gradually

## 2018

公司二次搬迁，商标升级，获得各个知名认证，整体形象更加鲜明国际化

Company relocated again, new brand, appearance is more bright and international



## 产品定制

精密刀具设计制作能力  
为客户定制精密金属产品

Be capable of design and production of precision cutting tools.  
Metal products could be Customized with High-Precision.



## 管理体系



客户第一，客户是衣食父母 及时为客户解决问题  
追求品质，只有不完美的产品，没有挑剔的客户  
乐观积极，碰到困难和挫折的时候永不放弃，不断自我激励

Customer first, the customer is the food and clothing parents to solve the problem in time.  
The pursuit of quality, only imperfect products, no critical customers.  
Be optimistic and positive, never give up when encountering difficulties and setbacks, and constantly motivate yourself.



## 检查中心



先进的检测设备

鸿祥产品检验遵循德国 DIN、VDE 标准和美国 UL 标准  
产品符合欧洲最新 EN 标准和 ATEX 标准

Advanced detection equipment

The cable gland test of Hoonsun follows the Germany standard of DIN, VDE and America standard of UL.  
Meet European newest standard of EN and ATEX.



# 金属直通型电缆接头

Metal Cable Gland-Direct Type

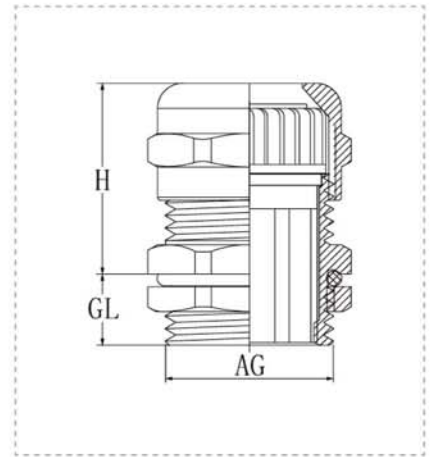


M / PG

CE ROHS IP68 REACH

材质: 镀镍黄铜  
 夹紧件: 采用尼龙塑料 PA66, UL94-V2  
 密封件: 丁腈橡胶、硅橡胶  
 防水圈: 丁腈橡胶、硅橡胶  
 防水等级: IP68-10 巴压力  
 工作温度: 静态: -40℃到 100℃, 短时间达 120℃  
 动态: -20℃到 80℃, 短时间达 100℃

Material: Nickel-plated brass  
 Claw: PA66 (Nylon), UL94-V2  
 Hermetic seal: NBR, Silicone rubber  
 O-Ring: NBR, Silicone rubber  
 Protection degree: IP68-10 bar  
 Temperature: Static state: -40 °C to 100 °C, Short time to 120 °C; Dynamic state: -20 °C to 80 °C, Short time to 100 °C



规格参数 单位: mm

规格 Item	适用范围 Φ Range	螺纹长度 GL Thread Length	螺纹外径 AG Thread O.D.	接合长度 H Joint Length	扳手径 ψ Spanner size	产品编号 Code
M12×1.5	3-6.5	6.5	12	17	14	HX-NTM12
M16×1.5	4-8	8	16	19	18	HX-NTM16
M18×1.5	5-10	8	18	21	20	HX-NTM18
M20×1.5	6-12	8	20	22	22	HX-NTM20
M22×1.5	10-14	8	22	23	24	HX-NTM22
M25×1.5	10-14	9	25	25	24/27	HX-NTM25-14
M25×1.5	13-18	9	25	27	30/27	HX-NTM25-18
M27×1.5	13-18	9	27	27	30	HX-NTM27
M32×1.5	15-22	10	32	29	35	HX-NTM32
M36×1.5	18-25	10	36	31	40	HX-NTM36
M40×1.5	18-25	10	40	31	40/45	HX-NTM40-25
M40×1.5	22-30	10	40	35	45	HX-NTM40-30
M48×1.5	25-33	10	48	37	50/52	HX-NTM48
M50×1.5	32-38	10	50	37	57/55	HX-NTM50
M63×1.5	37-44	10	63	38	64/68	HX-NTM63
M72×2	42-52	10	72	44	78	HX-NTM72
M80×2	55-60	15	80	45	88	HX-NTM80
PG7	3-6.5	6.5	12	17	14/15	HX-NTPG7
PG9	4-8	8	16	19	17/18	HX-NTPG9
PG11	5-10	8	18	21	20/21	HX-NTPG11
PG13.5	6-12	8	20	22	22/23	HX-NTPG13.5
PG16	10-14	8	22	23	24/25	HX-NTPG16
PG21	13-18	9	27	27	30	HX-NTPG21
PG29	18-25	10	36	31	40	HX-NTPG29
PG36	25-33	10	48	37	50	HX-NTPG36
PG42	32-38	10	50	37	57	HX-NTPG42
PG48	37-44	10	63	38	64	HX-NTPG48

可选择 G/NPT 螺纹定制 Customizable G/NPT thread

伊麗莎電線水喉系列 Metal Cable Gland Series



# 单压缩式填料函

Single Compression Type Cable Gland

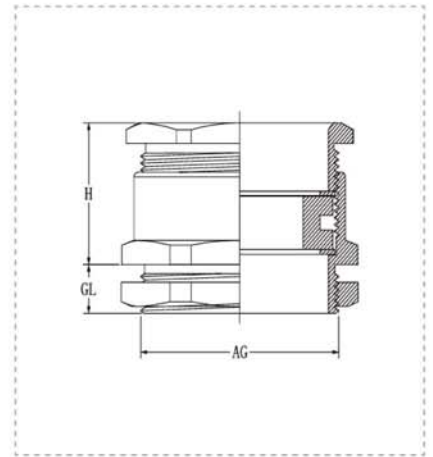


DCG

CE ROHS IP68 REACH

材质: 镀镍黄铜  
 密封件: 丁腈橡胶、硅橡胶  
 防水圈: 丁腈橡胶、硅橡胶  
 垫圈: 镀镍铁环  
 防水等级: IP54  
 工作温度: 静态: -40℃到 100℃, 短时间达 120℃  
 动态: -20℃到 80℃, 短时间达 100℃

Material: Nickel-plated brass  
 Hermetic seal: NBR, Silicone rubber  
 O-Ring: NBR, Silicone rubber  
 Metal Washer: Nickel-plated hoop  
 Protection degree: IP54  
 Temperature: Static state: -40℃ to 100℃, Short time to 120℃; Dynamic state: -20℃ to 80℃, Short time to 100℃



规格参数 单位: mm

规格 Item	螺纹 Thread	适用范围 $\Phi$ Range	螺纹长度 GL Thread Length	螺纹外径 AG Thread O.D.	接合长度 H Joint Length	扳手径 $\psi$ Spanner size	产品编号 Code
DCG7	PG7	5-6.5	5.0	12.5	16.5	14/15	HX-DCG7
DCG9	PG9	6-8	6.2	15.2	17.5	16/18	HX-DCG9
DCG11	PG11	8-11	6.5	18.6	17.5	20/21	HX-DCG11
DCG13.5	PG13.5	9-11.5	7.5	20.4	20.5	22/23	HX-DCG13.5
DCG16	PG16	11-14	8.0	22.5	22.2	24/26	HX-DCG16
DCG21	PG21	15-17.5	8.0	28.3	23.5	30/32	HX-DCG21
DCG29	PG29	20-23	8.0	37.0	25.5	40/41	HX-DCG29
DCG36	PG36	29-31	10.0	47.0	29.0	50/52	HX-DCG36
DCG42	PG42	32-38	11.0	54.0	33.0	57/57	HX-DCG42
DCG48	PG48	37-44	12.0	59.3	34.0	64/64	HX-DCG48



填料函系列 Marine Cable Gland Series

# 金属减缩环

Metal Reducer

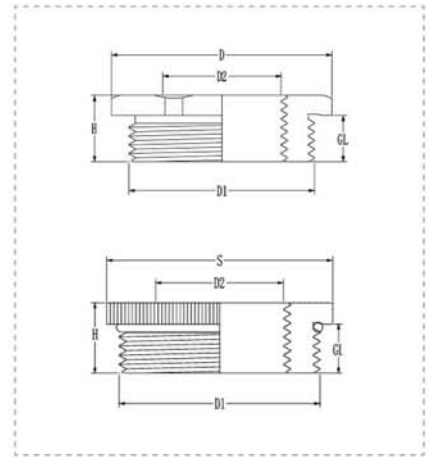


M / PG

CE ROHS

材质: 镀镍黄铜  
 防水圈: 丁腈橡胶、硅橡胶  
 防水等级: IP54  
 工作温度: 静态: -40°C到 100°C, 短时间达 120°C

Material: Nickel-plated brass  
 O-Ring: NBR、Silicone rubber  
 Protection degree: IP54  
 Temperature: Static state: -40°C to 100°C  
 short time to 120°C



六角  
Hexagonal



圆形  
Round

规格 Item	螺纹 Thread		螺纹长度 GL	高度 H Joint Length	扳手径 $\psi$ Spanner size	产品编号 Code
	Outer	Inner				
M16-M12	M16×1.5	M12×1.5	6	9	18	HX-REM16-M12
M20-M16	M20×1.5	M16×1.5	6.5	9.5	22	HX-REM20-M16
M25-M20	M25×1.5	M20×1.5	7.5	10.5	27	HX-REM25-M20
M32-M25	M32×1.5	M25×1.5	8	11.5	35	HX-REM32-M25
M40-M32	M40×1.5	M32×1.5	9	12.5	45	HX-REM40-M32
M50-M40	M50×1.5	M40×1.5	10	14	55	HX-REM50-M40
M63-M50	M63×1.5	M50×1.5	10	14	68	HX-REM63-M50
PG9-PG7	PG9	PG7	6	9	18	HX-REPG9-PG7
PG11-PG9	PG11	PG9	6.5	9.5	20	HX-REPG11-PG9
PG13.5-PG11	PG13.5	PG11	6.5	9.5	22	HX-REPG13.5-PG11
PG16-PG13.5	PG16	PG13.5	6.5	9.5	24	HX-REPG16-PG13.5
PG21-PG16	PG21	PG16	7.5	10.5	30	HX-REPG21-PG16
PG29-PG21	PG29	PG21	8	11.5	40	HX-REPG29-PG21
PG36-PG29	PG36	PG29	9	12.5	50	HX-REPG36-PG29
PG42-PG36	PG42	PG36	10	14	57	HX-REPG42-PG36
PG48-PG42	PG48	PG42	10	14	64	HX-REPG48-PG42

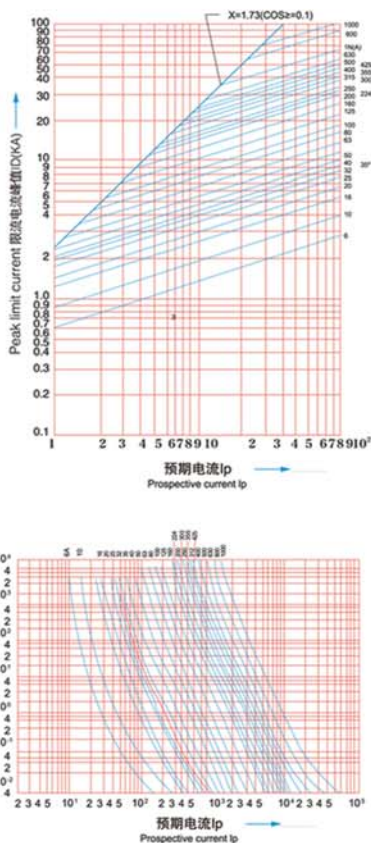


其他配件 Other Matched Accessories

### 圆筒帽形熔断器 Cylindrical Fuse



#### > 特性曲线 Characteristic curve



#### 用途

本系列熔断体适用于交流50Hz、额定电压至690V、额定电流至125A,主要作为电气线路过载和短路保护 (gG),还可派生为半导体器件及其成套装置的短路保护 (aR) 以及电动机短路保护 (aM)。本系列熔断体的额定分断能力至100KA。本系列熔断体符合国家标准GB13539和国际电工委标准IEC60269。

#### 结构特点

由纯铜/银片 (或丝) 制成的变截面熔体封装于由高强度瓷或环氧玻璃布管制成的熔管内; 熔管中充满经化学处理过的高纯度石英砂作为灭弧介质。熔体两端采用电焊与接触端帽牢固连接。熔断体可带有撞击器, 当熔断体熔断时, 撞击器立即动作, 推动微动开关, 发出各种信号或自动切换电路。根据用户需要还可生产特殊熔断体。本系列熔断体呈插入式结构, 按尺码可安装于RT14、RT18、RT19以及其他相应尺码的熔断体支持件。

#### 基本数据

熔断体型号、外形尺寸、额定电压、额定电流见基本数据图。

#### Applications

This series of fuse links is mainly used in AC 50Hz, rated voltage up to 690V, rated current up to 125A and for protecting electric equipment from overload and short-circuit. It can reliably break the min. fusion current to any current within 120KA.

It is also available for the protection of semiconductor parts and equipments against short-circuit (type aR) and protection of motors (type aM).

This series of fuse links conforms to GB13539 and IEC 60269 standards.

#### Design Features

Variable cross-section fuse element made from pure metal sealed in cartridge made from high-duty ceramic or epoxy glass. Fuse tube filled with chemically treated high-purity quartz sand as arc-extinguishing medium. Dot-welding of fuse element ends to the caps ensures reliable electric connection; Striker may be attached to the fuse link to provide immediate activation of micro-switch to give various signals or cut the circuit automatically. According to customer demands we can also produce special fuse body, this series of fuse-type plug-in structure, according to the size, it can be installed in the RT14, RT18, RT19 and other corresponding size fuse assembly.

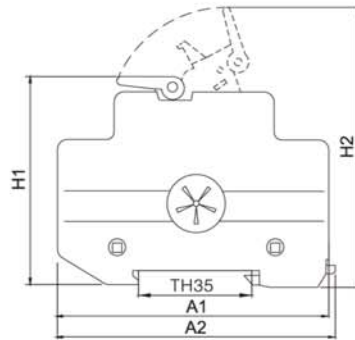
#### Basic Data

The model, outline dimension, rated voltage and rated current are shown in Figures.

### > 基本数据 Basic Data



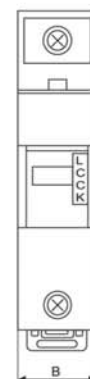
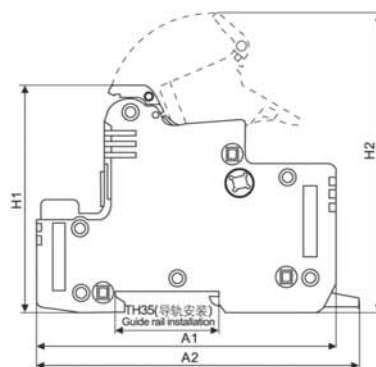
序号 No.	产品型号 Product model	配装熔断体尺码 Applicable fuse link size	额定电压 Rated Voltage (V)	额定电流 Rated current (A)	外形尺寸 Overall dimension (mm)				
					A1	A2	B	H1	H2
18068	RT18-20(X)	8.5×31.5	500	20	80	82	18	60	78
18069	RT18-32(X)	10×38	500	32	79	81	18	61	80
18070	RT18-63(X)	14×51	500	63	103	105	27	80	110



### > 基本数据 Basic Data



序号 No.	产品型号 Model of product	配装熔断体尺码 Applicable fuse link size	额定电压 Rated Voltage (V)	额定电流 Rated current (A)	外形尺寸 Overall dimension (mm)				
					A1	A2	B	H1	H2
18071	RT18L-63	14×51	690	63	108	115	27	78	100
18071-1	RT18L-125	22×58	690	125	126	134	36	78	104







旺電器木料(雪)有限公司

**Wong Electrical & Teak Wood (Selangor) Sdn Bhd**

33, Jalan 20/14, Paramount Garden, 46300 Petaling Jaya, Selangor.

Tel: 03-7874 8355 (HL), 7876 2676

Fax: 03-7876 7175 (account dept.), 03-7876 1033 (sales dept.)

Email: [wetsel@wetpj.com.my](mailto:wetsel@wetpj.com.my)

